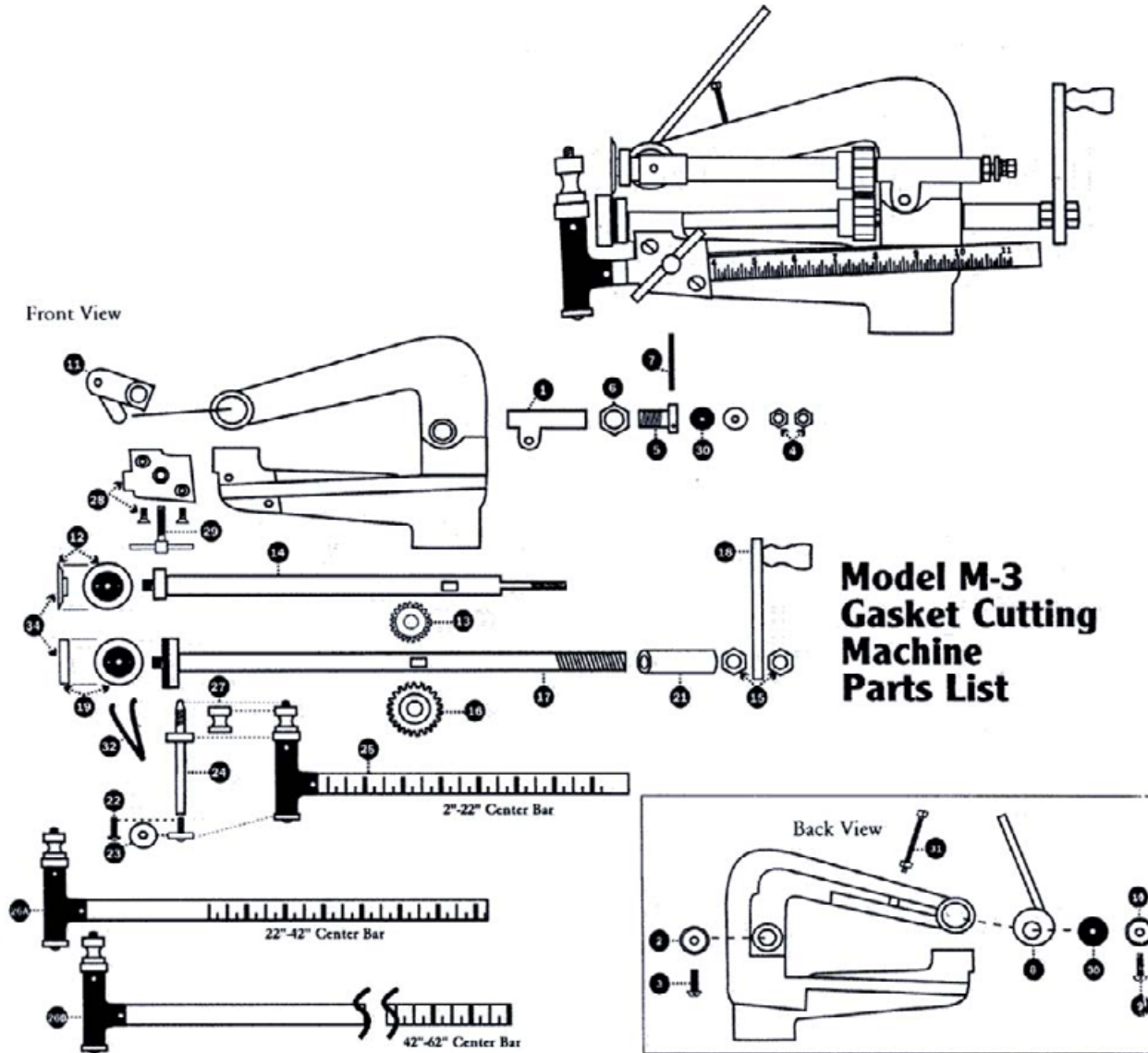


Technical Data : **M-3 PARTS LIST**



**Model M-3
 Gasket Cutting
 Machine
 Parts List**

Part No.	Part
1	Thrust Bearing Housing
2	Thrust Bearing Washer
3	Thrust Bearing Screw #12 - 24 x 5/8"
4	Thrust Bearing Spindle Lock Nuts 1/4" - 20 Thds. (2 Required)
5	Thrust Bearing
6	Thrust bearing Lock Nut
7	Thrust Bearing Adjusting Pin (1 Required)
8	Top Cutter Lift Cam
9	Top Cutter Lifter Screw #12 - 24 x 5/8"
10	Top Cutter Lifter Washer
11	Top Cutter Lifter Bearing
12	Top Cutting Disk
13	Top Shaft Gear
14	Top Shaft
15	Bottom Shaft Lock Nuts 1/2" - 20 Thds. (2 Required)
16	Bottom Shaft Gear
17	Bottom Shaft

Part No.	Part
18	Handle Assembly
19	Bottom Cutting Disk (Two Cutting Edges)
20	Discontinued - Gasket Guide
21	Bottom Shaft Sleeve
22	Screw for Center Bar Spindle #12 - 24 x 5/8"
23	Washer For Center Spindle
24	Spindle For Center Bar
25	Center Bar Assembly (Standard)
26A	Medium Extension Bar 22" - 42" Assembly
26B	Long Extension Bar 42" - 62" Assembly
27	Knurled Nut
28	Scale Bar Plate With Screws
29	Tee Screw
30	Teflon Washers - 2 Sizes
31	Cam Stop Adjusting Screw and Nut
32	Spanner Wrench For Top And Bottom Cutting Disks
33	11/32" Hole Punch (Not Shown)
34	Set Of Cutting Disks (1 Top & 1 Bottom)