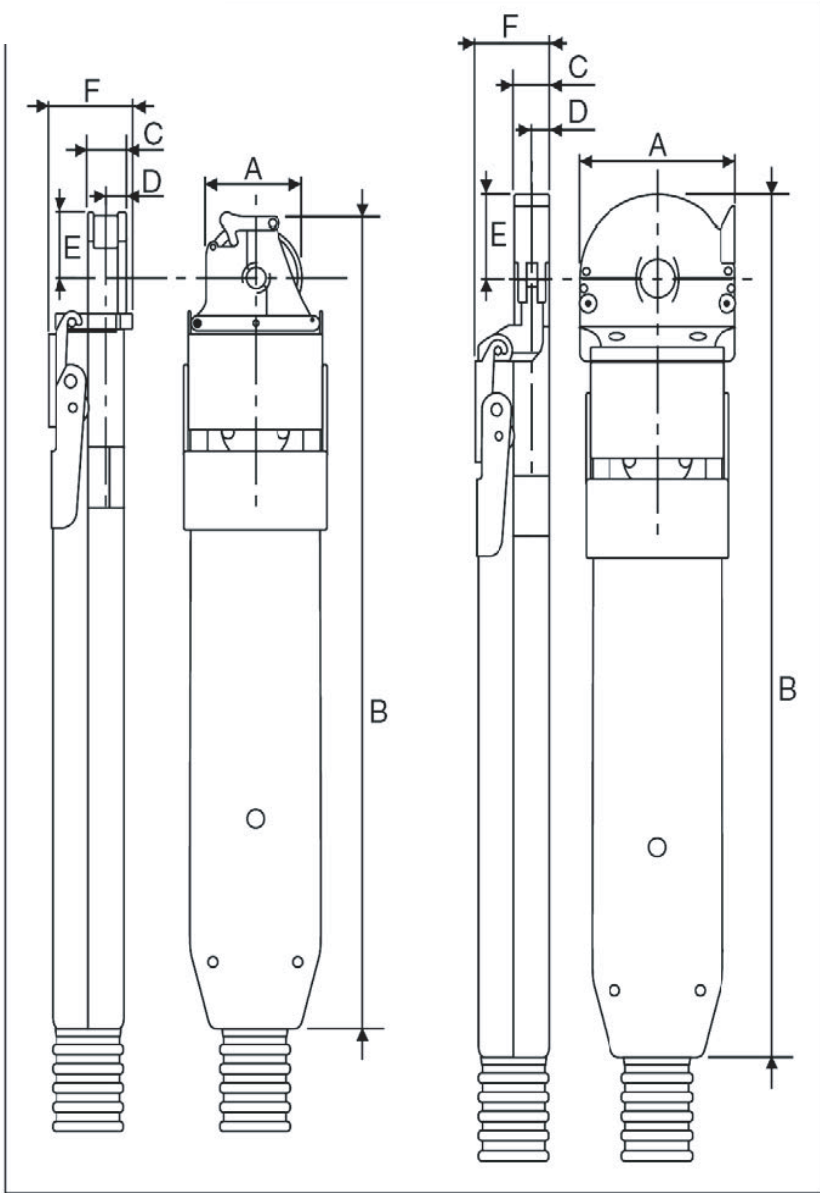


Technical Data : **SENTRY UHP**



Fixture block, modular system for fittings



Union Tee



Union Elbow



Reducing Elbow

Sentry UHP	Tube O.D.	Dimensions					
	from to	A	B	C	D	E	F
UHP 250	1.60-6.35 (1/16-1/4)	31.4 (1.25)	244.7 (9.65)	11.8 (0.5)	6.3/5.5 (0.25/0.2)	18.7 (0.75)	27.7 (1.1)
UHP 500	3.00-12.7 (1/8-1/2)	51.7* (2.05)	260 (10.25)	12.2 (0.5)	6.3/5.9 (0.25/0.2)	22.4 (0.9)	25.4 (1)